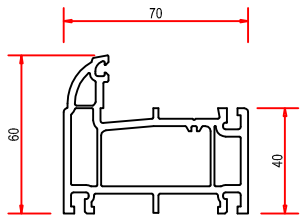
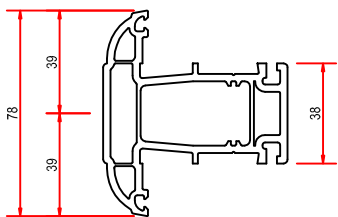


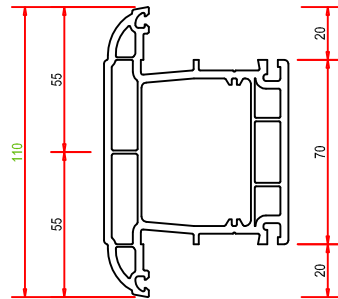
1900  
STANDARD OUTER FRAME PROFILE



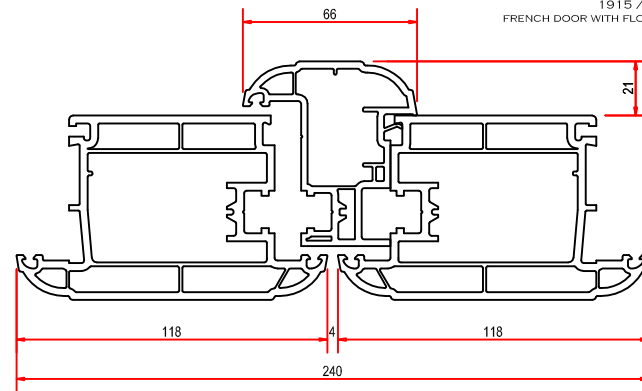
1921  
STANDARD TRANSOM OR MULLION



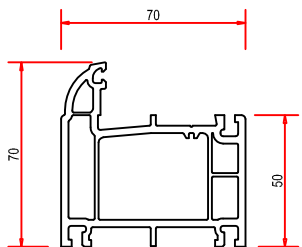
1923  
OPTIONAL RAIL (MID-RAIL)



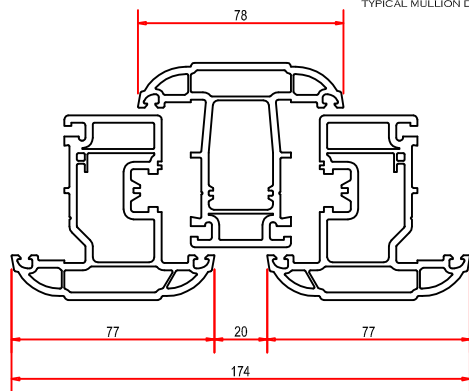
1915 / 1940 / 1915  
FRENCH DOOR WITH FLOATING MULLION



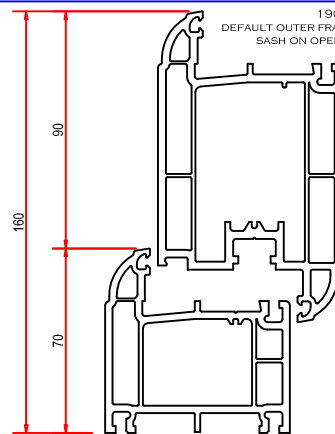
1901  
OPTIONAL LARGER OUTER FRAME PROFILE



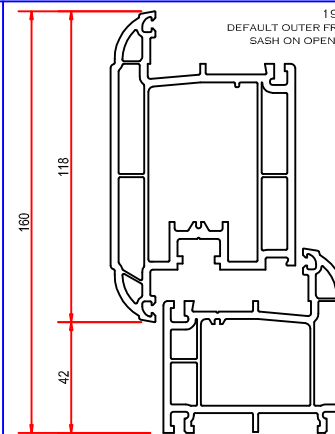
1917 / 1921 / 1917  
TYPICAL MULLION DETAIL AT A VENTED BUTTMENT



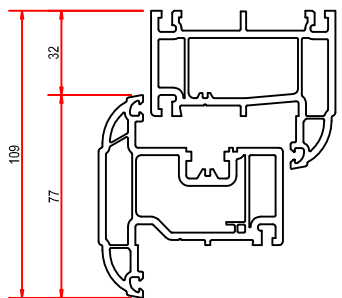
1901 / 1916  
DEFAULT OUTER FRAME & SASH  
SASH ON OPEN IN DOORS



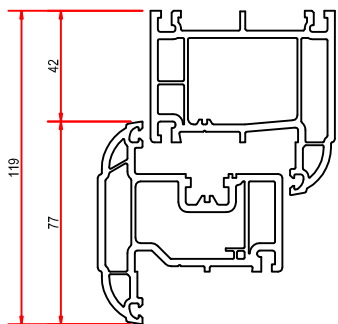
1915 / 1901  
DEFAULT OUTER FRAME & SASH  
SASH ON OPEN OUT DOORS



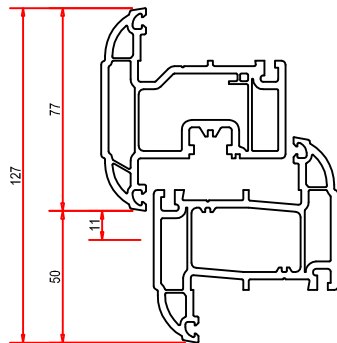
1917 / 1900  
TYPICAL HEAD & JAMB DETAIL FOR VENTED OPTION



1917 / 1901  
OPTIONAL LARGER HEAD & JAMB DETAIL FOR VENTED OPTION



1917 / 1924  
TYPICAL TRANSOM DETAIL WITH DEFAULT SASH  
VENTED SECTION ON A FIXED UNIT



1901 / 1139 CILL  
180MM CILL DETAIL & FIXED WINDOW

